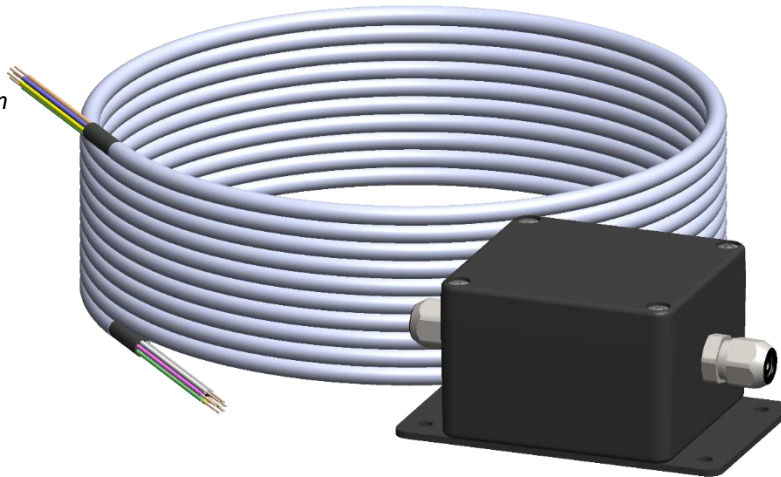


EXT10 – Cable extension

EXT10 is a 10 meters extension of the ISAW sensor cable, equipped at one end with an IP68 aluminium enclosure junction box, which contains an 8-pin screw connector to connect any ISAW sensor or chaining several EXT10 extension cables.

*cable
length: 10m*



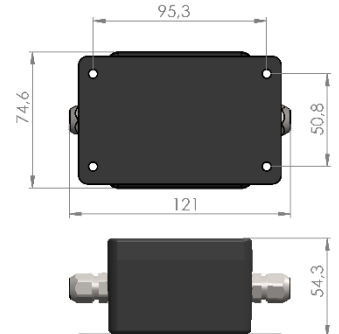
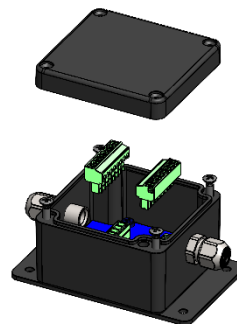
JUBOX
Junction box
IP68
111 x 74 x 54 mm



Each sensor is delivered with a 5 m cable (2.5 m for RF4) prepared with bootlace ferrules at each of its 8 conducting wires, ready to be plugged into the 8-pin screw terminals of the ISAW communication device or any other terminal of your choice.



Cable reference: LÜTZE SUPERFLEX ® TRONIC (C) PUR 7x0.25, ref. 117103, with 7 conductors AWS 24 / 0.25 mm².



Should you need a **longer cable**, you can use the same cable reference. Then use the shield as the 8th conductor of the sensor (BLACK wire). You can also use any other cable with similar characteristics.

To **shorten the factory cable** of the sensor, treat the shield as the BLACK (POWER GND) conductor, that is, protect the nude shield with a black thermo sleeve, crimp a terminal, and make sure to connect it to the GND of your connected device.

IAV Technologies SARL

ISAW Products Division
Chemin des Coulevres 4A, 1295 Tannay, Switzerland

Tel: +41 (0)22 960 11 04
E-mail: isaw@iav.ch

www.isaw-products.com



Plugging the cable extension

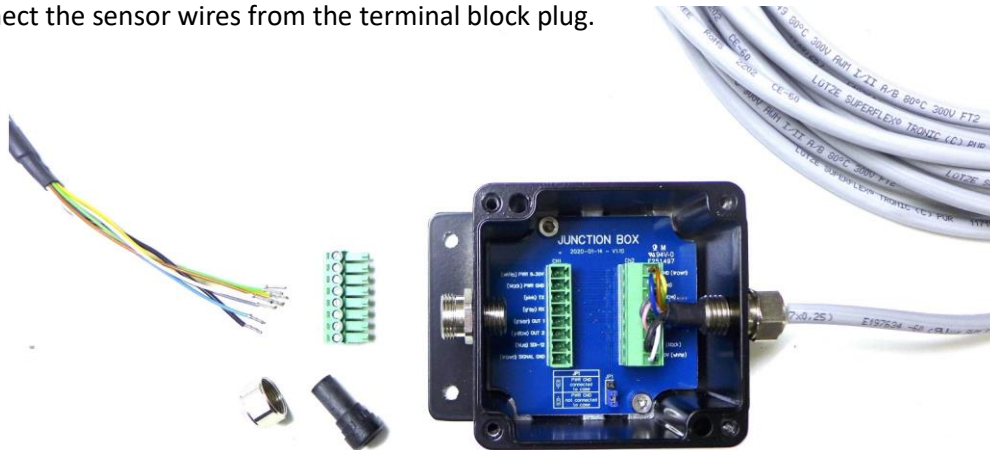


EXT10 Cable extension

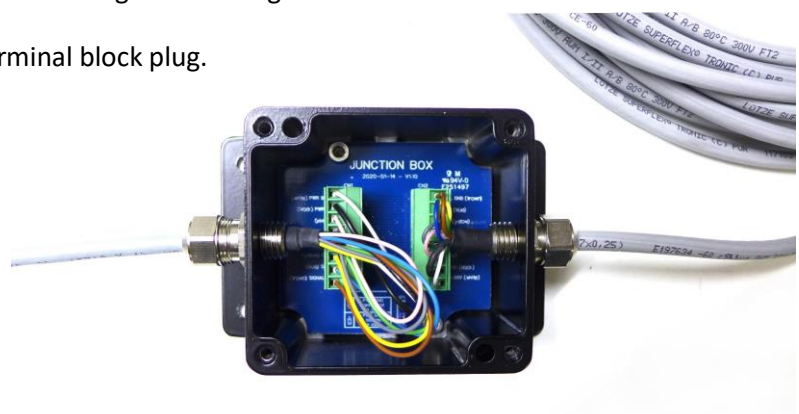


Sensor cable (left) and Junction box

- Disconnect the sensor wires from the terminal block plug.



- Thread the sensor cable into the junction box through the cable gland.
- Connect the sensor wires back into the terminal block plug.
- Plug it into the junction box.



Interfacing examples: See ISAW sensors catalogues (www.isaw-products.com).